



There when you need us most

EZ SERIES BOOSTER PUMPS

Cast Iron and Stainless Steel Booster Pumps



EZ Series

EZ Series pumps are carefully hand assembled, then individually checked & tested, to provide you with reliable solutions for industrial, commercial, and agricultural applications.

The quality and performance you expect, along with industry best lead times and personalized service, only from Webtrol!

Features and Benefits

- 316 stainless steel and cast iron fitted models
- 316 stainless steel hex shaft, coupling, and pump housing
- Glass filled Delrin, Polycarbonate or Noryl impellers
- Injection molded, Polycarbonate, or Noryl diffusers with stainless steel wear rings

Performance

HP Range: .5 to 5 HP, 60Hz
 Capacities to 40 GPM
 Pressures to 500 PSI
 Temperatures to 180° F

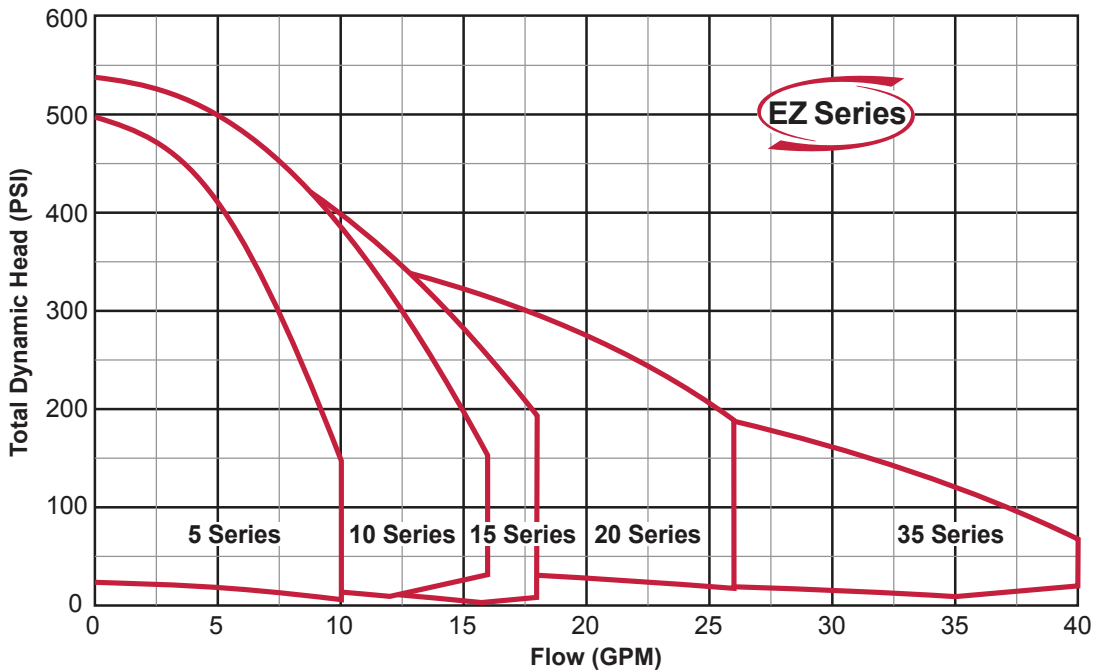
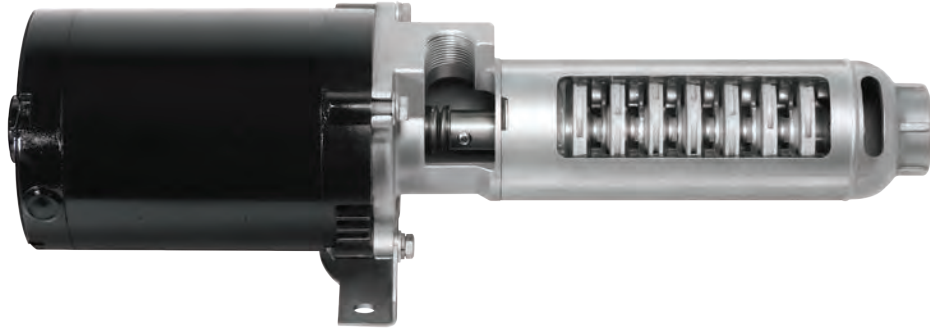
Typical Services

- Reverse Osmosis
- Deionization
- Car Wash
- Washdown
- Water Boosting
- Jockey Pump



There when you need us most

EZ SERIES BOOSTER PUMPS



CONSTRUCTION MATERIALS		
Part	Cast Iron	SS
Inlet/Motor Bracket	Cast Iron	316 SS
Discharge Housing	Cast Iron	316 SS
Pump Housing	316 SS	316 SS
Impellers	Thermoplastic	Thermoplastic
Diffusers	Thermoplastic	Thermoplastic
Wear Rings	316 SS	316 SS
Shaft & Coupling	316 SS	316 SS
Mechanical Seal	Carbon/Ceramic	Carbon/Ceramic
O-Rings	Buna-N	Viton