



There when you need us most

MVGC SERIES GRINDER PUMPS

Cast Iron Grinder Pumps



The MVGC Series grinder pumps effectively macerate sewage into a fine slurry providing you with reliable solutions for commercial applications.

The quality and performance you expect, along with industry best lead times and personalized service, only from Webtrol!



Features and Benefits

- All cast iron construction
- Recessed vortex cast iron impeller
- Hardened, anti-wear grinding ring and cutter
- Double mechanical seal for better motor protection
- 3450 RPM, 2 pole motor
- Oil filled continuous duty motor
- 20' power cord
- Potted epoxy cord seal
- Available with 2.5" flange connection
- Available in prepackaged basin

Performance

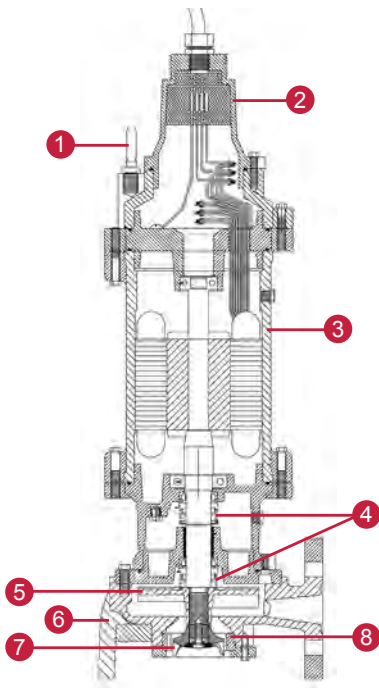
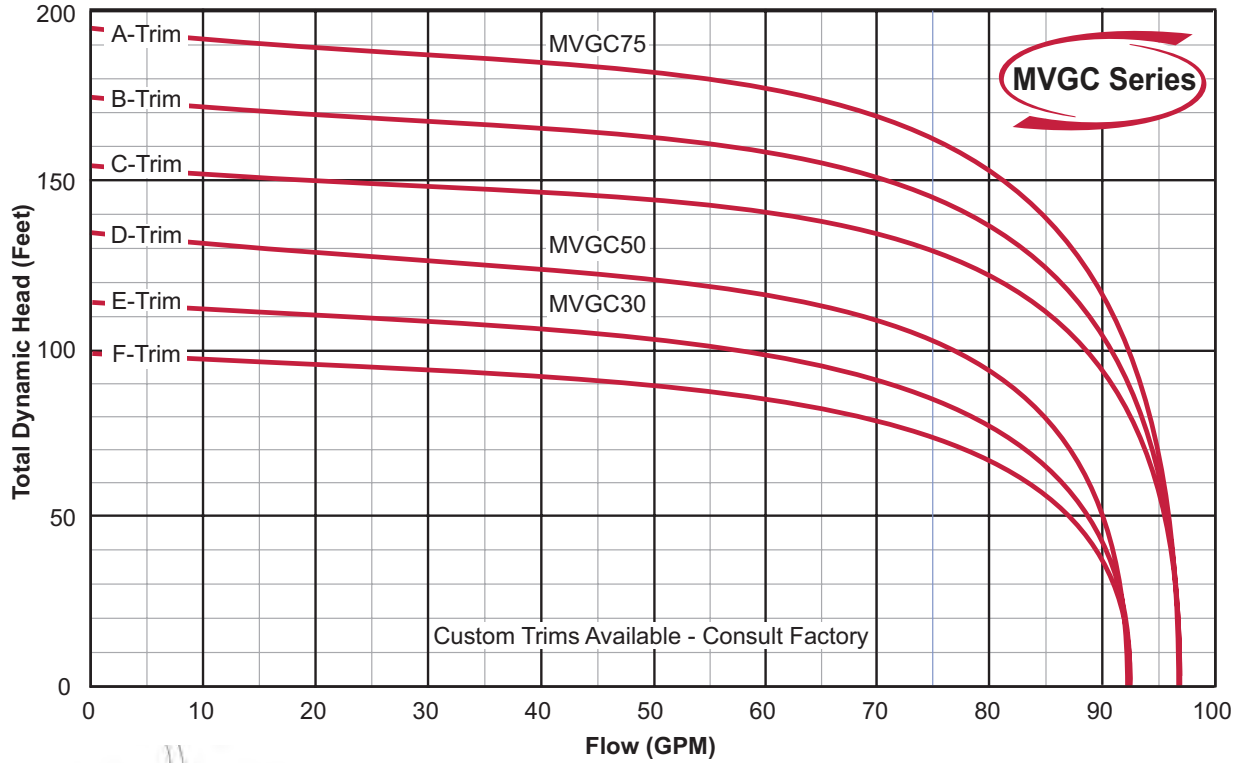
HP Range: 3 - 7.5 HP, 60Hz.
 Capacities to 97 GPM
 Heads to 195'
 Temperatures to 104° F

Typical Services

- Commercial Wastewater
- Municipal Wastewater Lift Stations

Model	HP	Volt	Discharge	Cord Length	Dimensions (L x W x H)	Weight
MVGC30CR	3	230	2.5"	20'	10.8" x 9.5" x 35.8"	179 lbs.
MVGC30DR	3	460	2.5"	20'	10.8" x 9.5" x 35.8"	179 lbs.
MVGC50CR	5	230	2.5"	20'	10.8" x 9.5" x 35.8"	181 lbs.
MVGC50DR	5	460	2.5"	20'	10.8" x 9.5" x 35.8"	181 lbs.
MVGC75CR	7.5	230	2.5"	20'	10.8" x 9.5" x 35.8"	190 lbs.
MVGC75DR	7.5	460	2.5"	20'	10.8" x 9.5" x 35.8"	190 lbs.

MVGC SERIES GRINDER PUMPS



CONSTRUCTION MATERIALS		
Number	Part	Material
1	Hanging Ring	Steel Plated
2	Top Cover	Cast Iron
3	Motor Housing	Cast Iron
4	Double Mechanical Seal	Carbon-Ceramic/Carbon-Ceramic
5	Impeller	Brass
6	Pump/Volute	Cast Iron
7	Cutter	304 SS
8	Cutter ring	304 SS