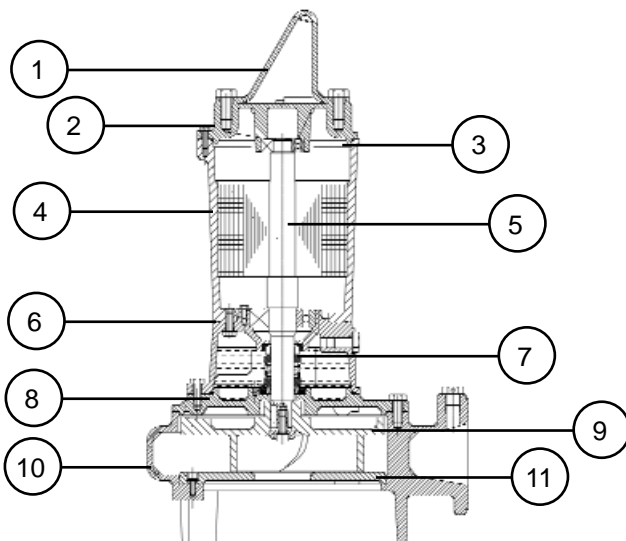


WEBTROL VN SERIES NON-CLOG Construction and Design Features

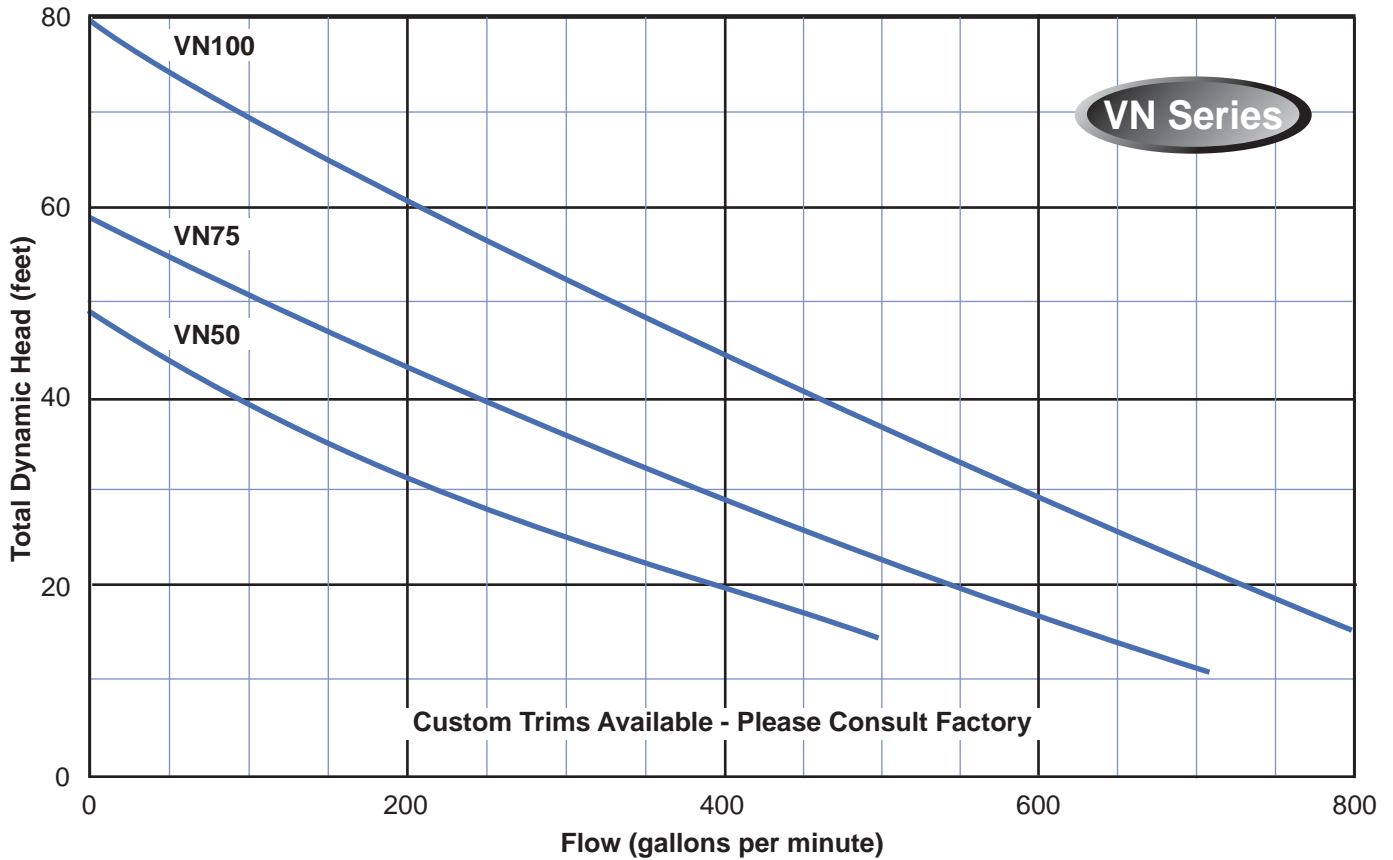
The **WEBTROL** VN Series Non-Clog submersible wastewater pumps are designed / manufactured for the most demanding commercial / industrial applications. The single channel, open impeller allows a full 3" spherical solid to pass through it, preventing clogging. The WEBTROL VN Series Non-Clog is for use in municipal lift stations, wastewater treatment facilities, as well as commercial / industrial wastewater applications.

Specification

- Capacities up to 800 GPM
- Heads up to 76' TDH
- Solids handling capacity 3"
- Discharge size: 4" flange / 4" NPT elbow
- Motor data: 3hp - 10hp, 3 phase, 230/460 Volt
- Rated speed: 1750 RPM (4 pole)
- Oil filled motor continually lubricates bearing and dissipates heat
- 104 degrees F. (Continuous), 140 degrees F. (Intermittent)
- Double mechanical seal..... silicon carbide / silicon carbide (primary)
carbon / ceramic (secondary)
- Max immersion depth of 26'
- Available in prepackaged basins



Construction		
Number	Description	Material
1	Handle	Steel Plated
2	Top Cover	Cast Iron
3	O-Ring	NBR
4	Motor Housing	Cast Iron
5	Shaft	410 SS
6	O-Ring	NBR
7	Double Mechanical Seal	Carbon-Ceramic / Silicon Carbide-Silicon Carbide
8	Seal Plate	Cast Iron
9	Impeller	Cast Iron
10	Pump Casing	Cast Iron
11	Bottom Plate	Cast Iron



Specifications								
Model	HP	Volt	Phase	Hertz	Amps	Discharge	Dimensions (L x W x H)	Weight
VN50C49	5	230	3	60	12.0	4"	25.7" x 15.8" x 32.5"	265 lbs.
VN50D49	5	460	3	60	6.0	4"	25.7" x 15.8" x 32.5"	265 lbs.
VN75C62	7.5	230	3	60	18.0	4"	25.7" x 15.8" x 32.5"	267 lbs.
VN75D62	7.5	460	3	60	9.0	4"	25.7" x 15.8" x 32.5"	267 lbs.
VN100C76	10	230	3	60	23.0	4"	25.7" x 15.8" x 32.5"	276 lbs.
VN100D76	10	460	3	60	11.5	4"	25.7" x 15.8" x 32.5"	276 lbs.