

## 2TC SERIES 2 STAGE PUMPS

### High Head Stainless Steel Centrifugal Pumps

## 2TC Series

The 2TC Series pumps are engineered for applications that require higher head. These 2 stage pumps deliver smooth steady performance for a variety of industrial, commercial, and agricultural applications.

The quality and performance you expect, along with industry best lead times and personalized service, only from Webtrol!



#### Features and Benefits

- 304 stainless steel pump case, motor bracket and impeller
- Close coupled design
- Centerline discharge
- Non-overloading motor rated for continuous duty
- High operating efficiency
- Back pullout design allows for ease of servicing
- Mechanical seal for maximum reliability

#### Performance

HP Range: 2 to 5 HP, 60Hz  
Capacities to 65 GPM  
Pressures to 107 PSI  
Temperature to 212 °F

#### Typical Services

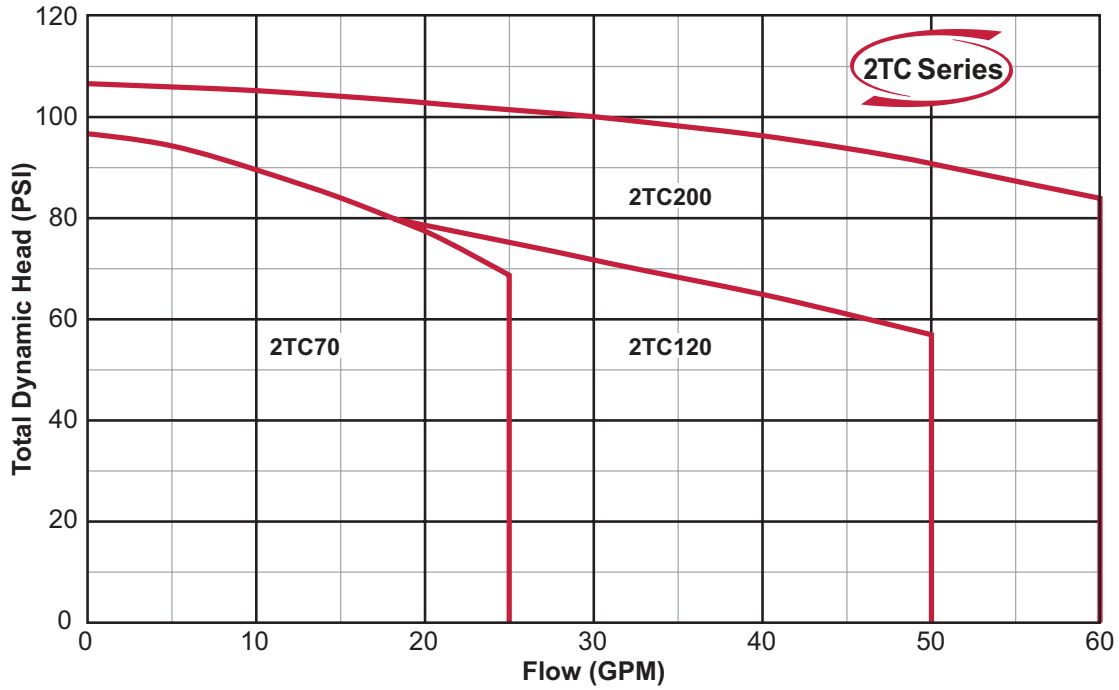
- Deionized Systems
- Reverse Osmosis Systems
- Distribution Systems
- Car Wash Systems
- Liquid Transfer Systems
- Circulation Systems
- Pre-Filter Charge System
- Condensation Systems
- Cooling Tower Systems



There when you need us most

**2TC Series**

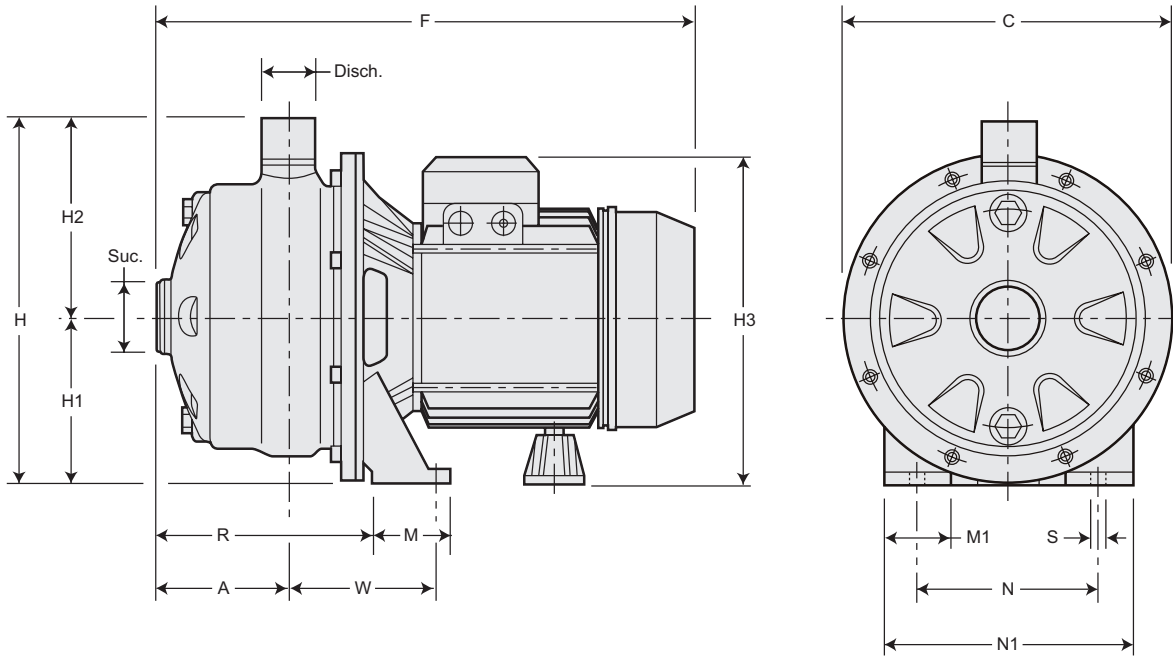
**2TC SERIES FAMILY CURVES**



CONSTRUCTION MATERIALS	
Part	Material
Casing	304L SS
Impeller	304L SS
Shaft	304L SS
Bracket	Aluminum or Cast Iron
Mechanical Seal	Carbon/Ceramic

## 2TC SERIES Pump and Motor Dimensions

**2TC**Series



Model No.	Disch./ Suc. Frame	Dimensions (in.)															
		HP	A	C	F	H	H1	H2	H3	M	M1	N	N1	R	S	W	Wt. Lbs.
2TC7020	1" x 1.25"	2	3.4375	9.125	14.9375	9.1875	4.625	5.1875	8.875	2.1875	1.5625	5.50	7.0625	5.50	0.375	3.75	42
2TC7030	1" x 1.25"	3	3.4375	9.125	14.9375	9.8125	4.625	5.1875	8.875	2.1875	1.5625	5.50	7.0625	5.50	0.375	3.75	44
2TC12030	1" x 1.25"	3	3.4375	8.1875	14.9375	9.0625	4.1875	4.875	8.4375	2.1875	1.5625	5.50	7.0625	5.50	0.375	3.75	35
2TC20050	1" x 1.5"	5.5	3.4375	9.125	17.375	9.1875	4.625	5.1875	9.5625	2.6875	1.9375	6.9375	1.9375	5.6875	0.50	4.3175	71



*There when you need us most*

**(800) 769-7867**

8417 New Hampshire Ave. | St. Louis, MO 63123

**Web:** [webtrol.com](http://webtrol.com) | **E-mail:** [customerservice@webtrol.com](mailto:customerservice@webtrol.com) | **Fax:** (314) 631-3738

*WEBTROL* is a Division of Weber Industries, Inc.