

FC SERIES CENTRIFUGAL PUMPS

Stainless Steel Centrifugal Pumps

FC Series

Dependable and rugged, FC Series pumps are corrosion and erosion resistant making them the logical choice for continuous duty service.

The quality and performance you expect, along with industry best lead times and personalized service, only from Webtrol!



Features and Benefits

- 304 stainless steel pump
- Close coupled design
- Centerline discharge
- Back pullout design allows for ease of servicing
- High operating efficiencies
- Mechanical seals and case o-rings are made of high quality materials

Performance

HP Range: 1 to 2, 60Hz - 1750 RPM
3 to 30, 60Hz - 3450 RPM

Capacities to 600 GPM

Pressures to 120 PSI

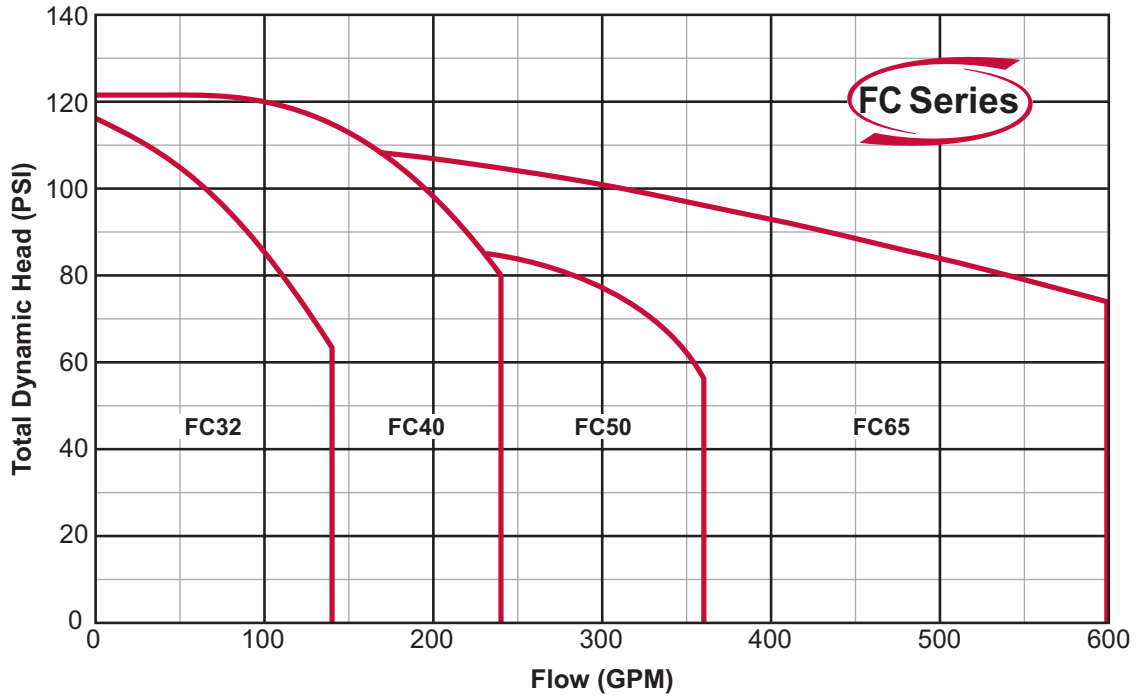
Temperatures to 212 °F

Typical Services

- Pressure Boosting
- Ultrapure Water Systems
- Deionized Systems
- Distribution Systems
- Pharmaceutical Services
- Water Reclamation
- Sprinkler & Irrigation
- General Pump Applications
- Beverage Processing
- Parts Washers
- Cooling Towers
- Jockey Pump
- Liquid Transfer
- Heat Exchangers
- Car Wash
- Spray systems
- Scrubbers
- Poultry

FC Series

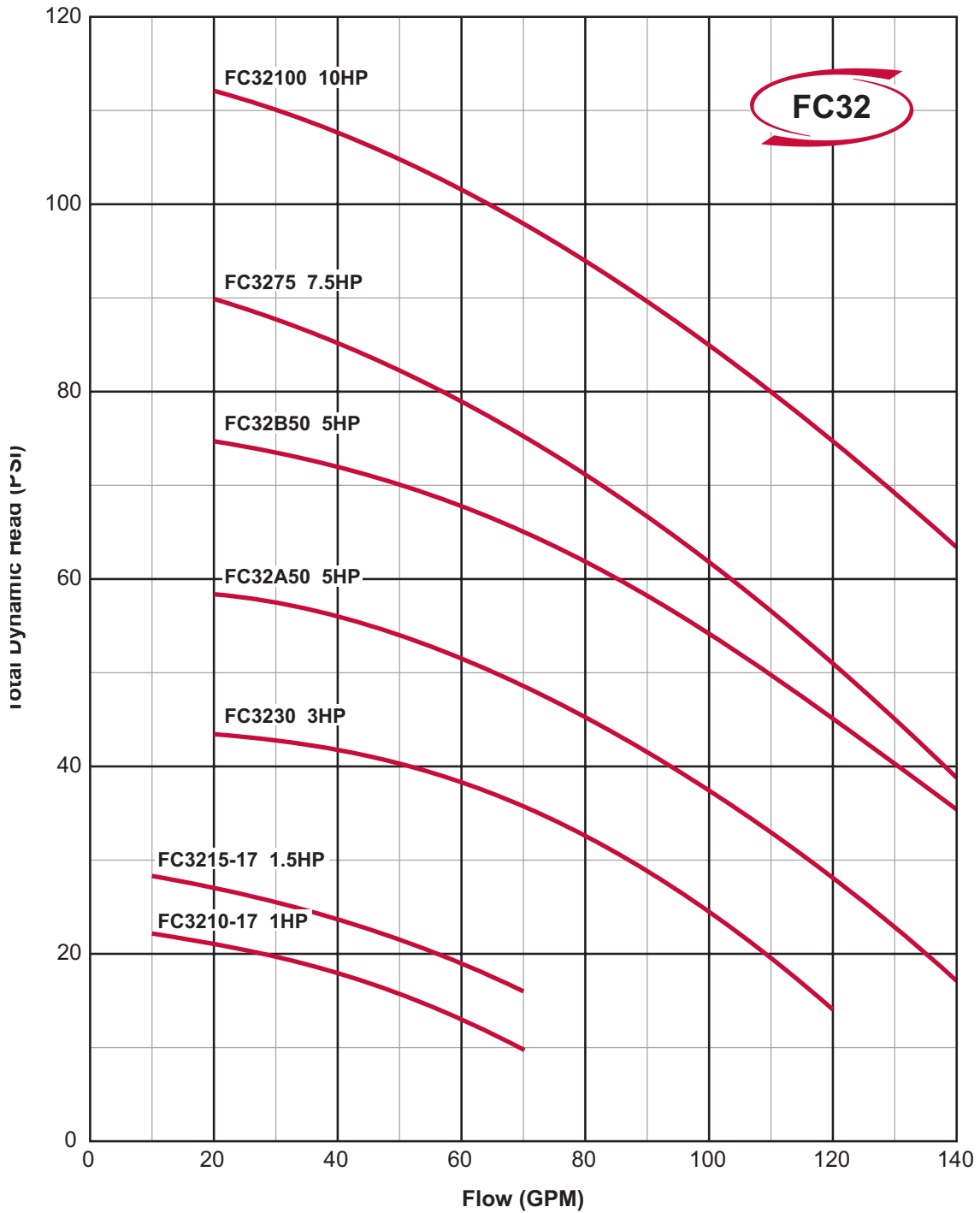
FC SERIES FAMILY CURVES



CONSTRUCTION MATERIALS	
Part	Material
Casing	304L SS
Impeller	304L SS
Shaft	SS
Mechanical Seal	Type 21

FC SERIES GROUP CURVES

FC Series

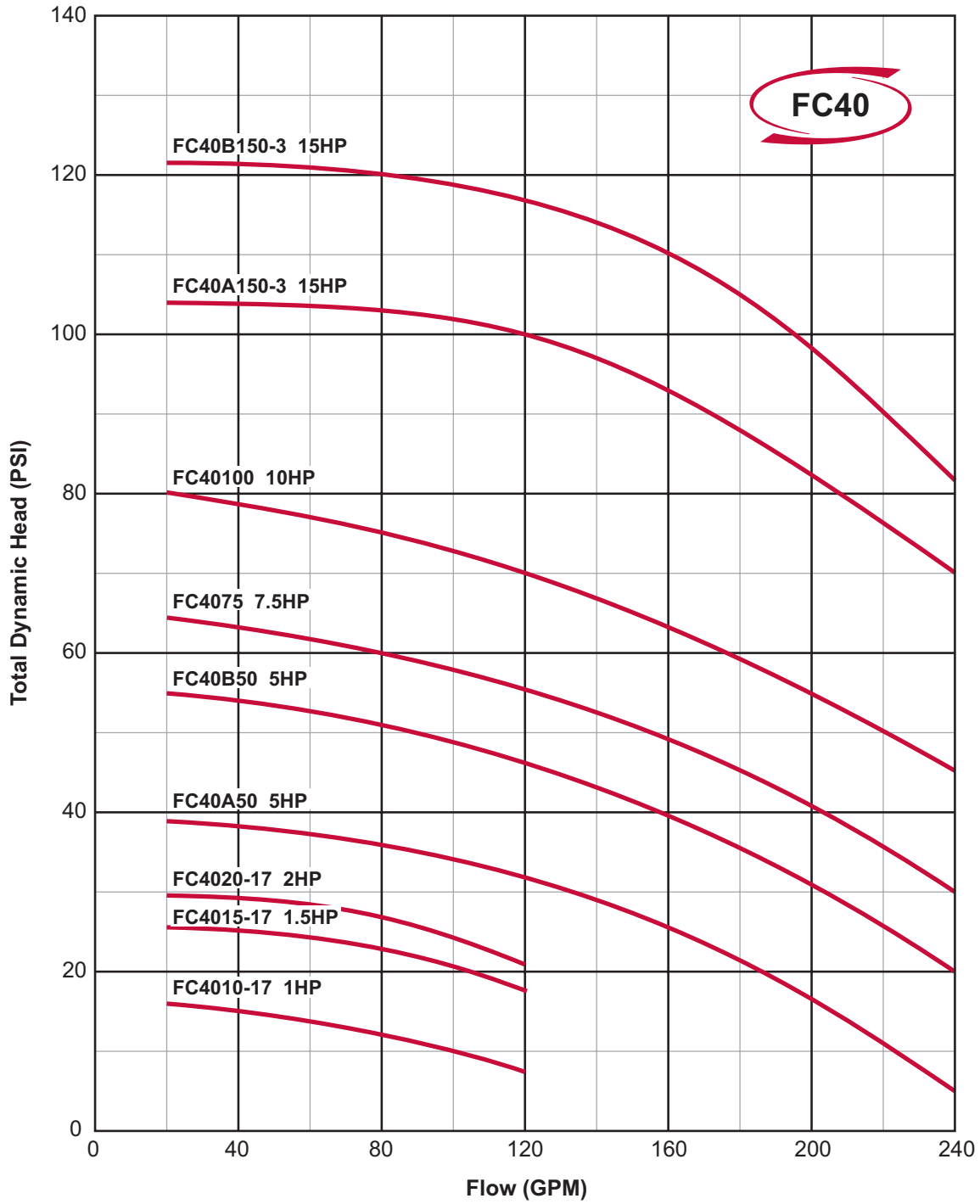




There when you need us most

FC Series

FC SERIES GROUP CURVES

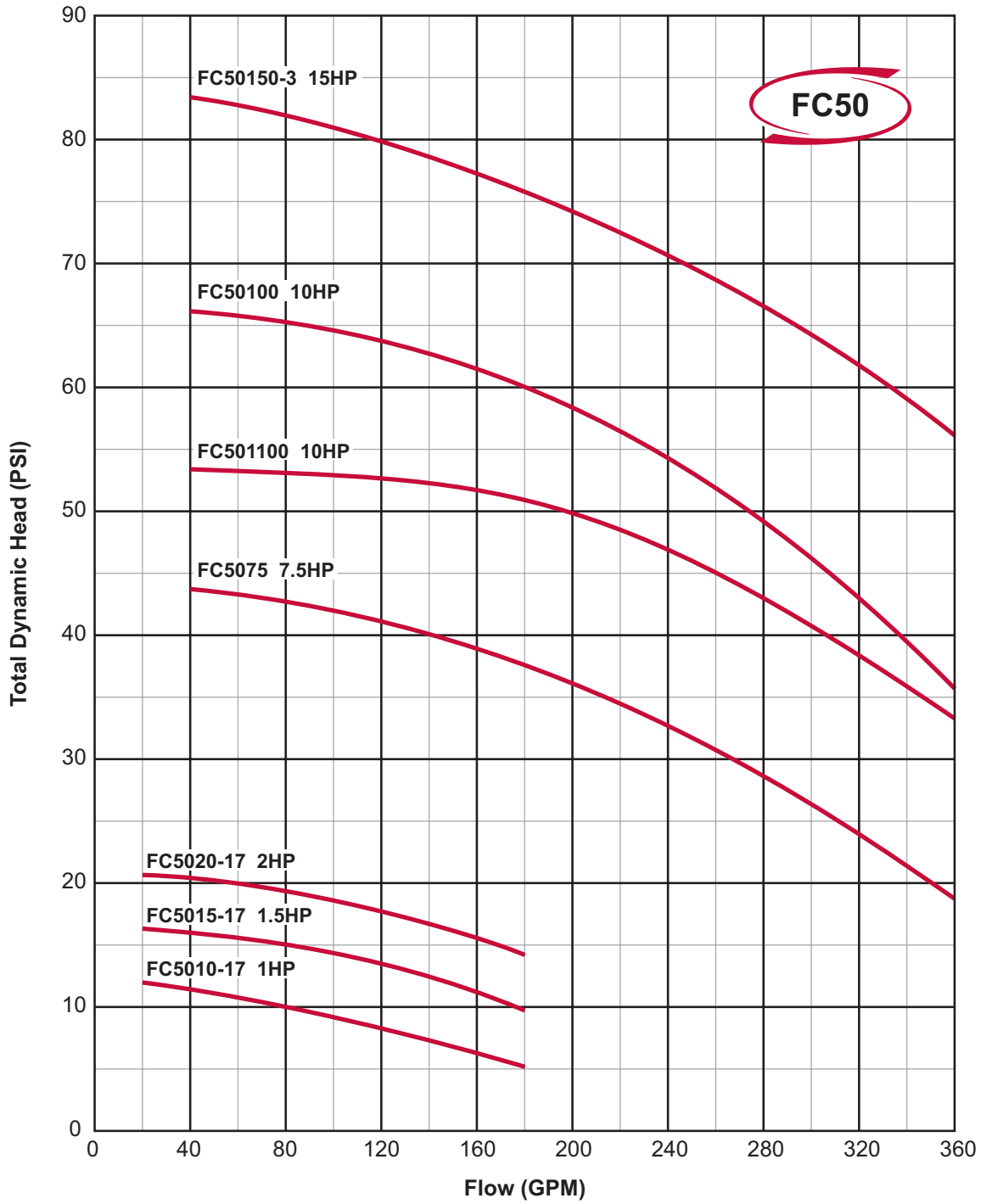




There when you need us most

FC SERIES GROUP CURVES

FC Series

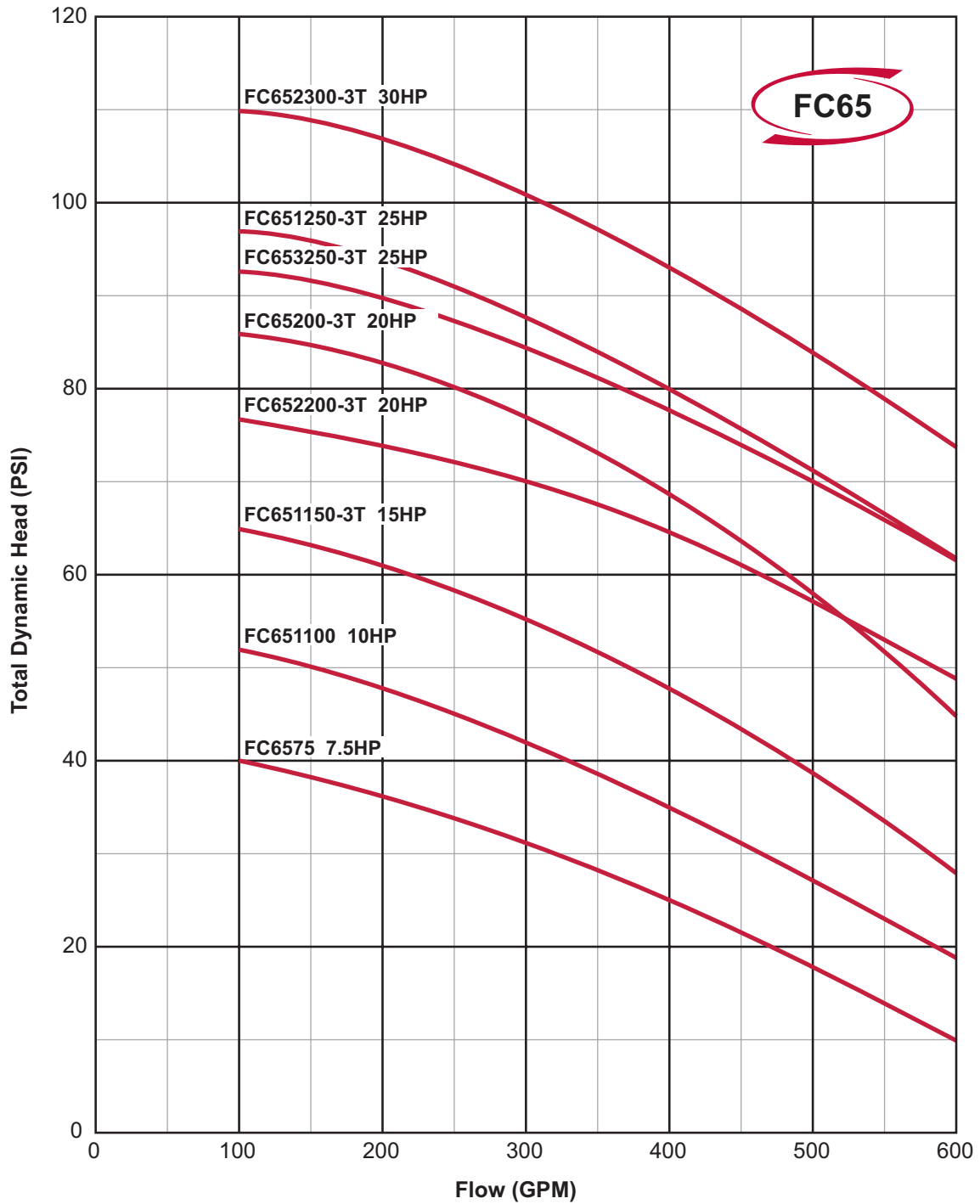




There when you need us most

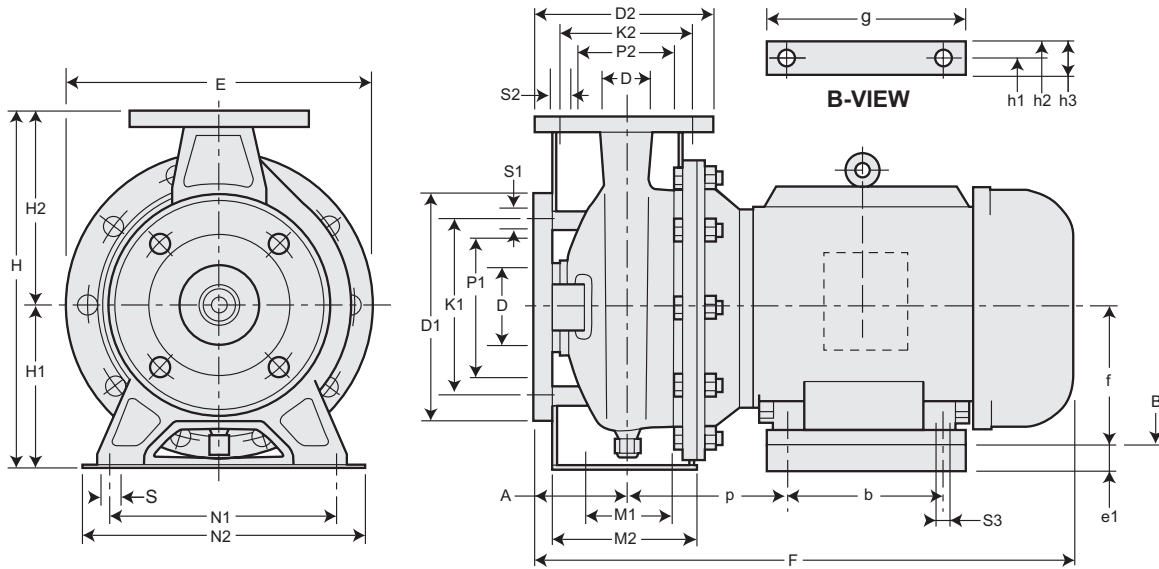
FC Series

FC SERIES GROUP CURVES



FC SERIES CENTRIFUGAL Dimensions

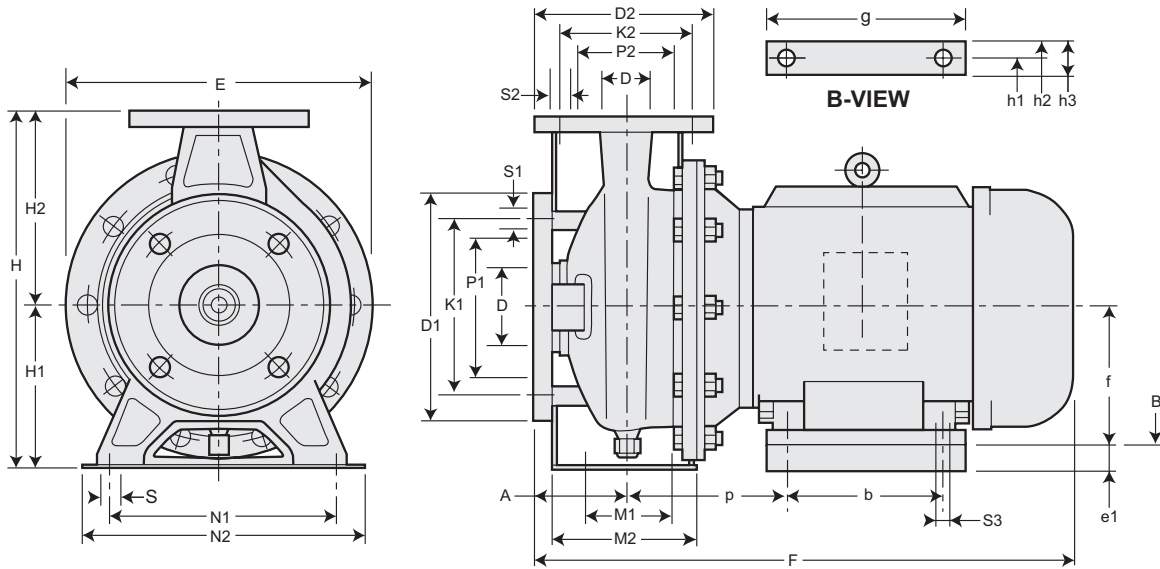
FC Series



Model No.	Suction Flange (In.)					Discharge Flange (In.)				
	D	P1	K1	D1	S1	D	P2	K2	D2	S2
FC3230	2	3 3/4	4 15/16	6 1/2	11/16	1 1/4	2 1/2	3 1/2	5 1/2	5/8
FC32A50	2	3 3/4	4 15/16	6 1/2	11/16	1 1/4	2 1/2	3 1/2	5 1/2	5/8
FC32B50	2	3 3/4	4 15/16	6 1/2	11/16	1 1/4	2 1/2	3 1/2	5 1/2	5/8
FC3275	2	3 3/4	4 15/16	6 1/2	11/16	1 1/4	2 1/2	3 1/2	5 1/2	5/8
FC32100	2	3 3/4	4 15/16	6 1/2	11/16	1 1/4	2 1/2	3 1/2	5 1/2	5/8
FC40A50	2 1/2	4 9/16	5 11/16	7 5/16	11/16	1 1/2	2 7/8	3 7/8	5 7/8	5/8
FC40B50	2 1/2	4 9/16	5 11/16	7 5/16	11/16	1 1/2	2 7/8	3 7/8	5 7/8	5/8
FC4075	2 1/2	4 9/16	5 11/16	7 5/16	11/16	1 1/2	2 7/8	3 7/8	5 7/8	5/8
FC40100	2 1/2	4 9/16	5 11/16	7 5/16	11/16	1 1/2	2 7/8	3 7/8	5 7/8	5/8
FC40A150-3	2 1/2	4 9/16	5 11/16	7 5/16	11/16	1 1/2	2 7/8	3 7/8	5 7/8	5/8
FC40B150-3	2 1/2	4 9/16	5 11/16	7 5/16	11/16	1 1/2	2 7/8	3 7/8	5 7/8	5/8
FC5075	2 1/2	4 9/16	5 11/16	7 5/16	11/16	2	3 3/4	4 15/16	6 1/2	11/16
FC501100	2 1/2	4 9/16	5 11/16	7 5/16	11/16	2	3 3/4	4 15/16	6 1/2	11/16
FC50100	2 1/2	4 9/16	5 11/16	7 5/16	11/16	2	3 3/4	4 15/16	6 1/2	11/16
FC50150-3	2 1/2	4 9/16	5 11/16	7 5/16	11/16	2	3 3/4	4 15/16	6 1/2	11/16

FC Series

FC SERIES CENTRIFUGAL Pump Dimensions



Model No.	Pump Dimensions (in.)									
	A	E	H	H1	H2	M1	M2	N1	N2	S
FC3230	3 1/8	8 3/8	9 15/16	4 7/16	5 1/2	2 3/4	4 1/2	5 1/2	7 1/2	9/16
FC32A50	3 1/8	10	11 1/2	5 3/16	6 5/16	2 3/4	4 5/8	7 1/2	9 7/16	9/16
FC32B50	3 1/8	10	11 1/2	5 3/16	6 5/16	2 3/4	4 5/8	7 1/2	9 7/16	9/16
FC3275	3 1/8	1 9/16	13 3/8	6 5/16	7 1/16	2 3/4	4 11/16	7 1/2	9 7/16	9/16
FC32100	3 1/8	1 9/16	13 3/8	6 5/16	7 1/16	2 3/4	4 11/16	7 1/2	9 7/16	9/16
FC40A50	3 1/8	8 3/8	9 15/16	4 7/16	5 1/2	2 3/4	4 1/2	6 5/16	8 1/4	9/16
FC40B50	3 1/8	8 3/8	9 15/16	4 7/16	5 1/2	2 3/4	4 1/2	6 5/16	8 1/4	9/16
FC4075	3 1/8	10	11 1/2	5 3/16	6 5/16	2 3/4	4 5/8	7 1/2	9 7/16	9/16
FC40100	3 1/8	10	11 1/2	5 3/16	6 5/16	2 3/4	4 5/8	7 1/2	9 7/16	9/16
FC40A150-3	3 15/16	1 9/16	13 3/8	6 5/16	7 1/16	2 3/4	4 1/2	8 3/8	10 7/16	9/16
FC40B150-3	3 15/16	1 9/16	13 3/8	6 5/16	7 1/16	2 3/4	4 1/2	8 3/8	10 7/16	9/16
FC5075	3 15/16	10	11 1/2	5 3/16	6 5/16	2 3/4	4 1/2	7 1/2	9 7/16	9/16
FC501100	3 15/16	10	11 1/2	5 3/16	6 5/16	2 3/4	4 1/2	7 1/2	9 7/16	9/16
FC50100	3 15/16	1 11/16	13 3/8	6 5/16	7 1/16	2 3/4	4 1/2	8 3/8	10 7/16	9/16
FC50150-3	3 15/16	1 11/16	13 3/8	6 5/16	7 1/16	2 3/4	4 1/2	8 3/8	10 7/16	9/16



There when you need us most

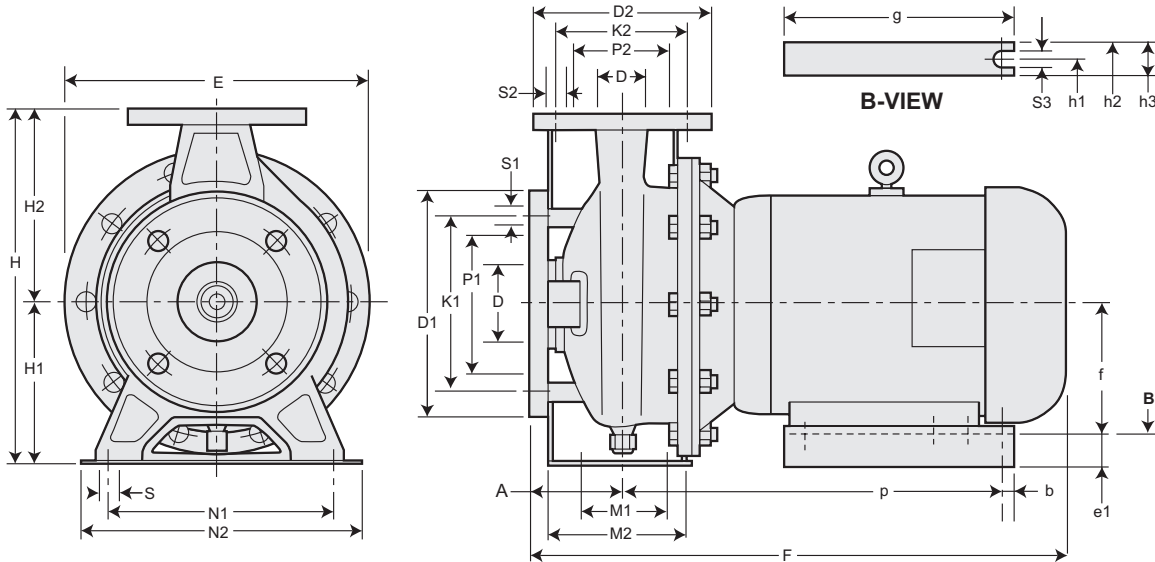
FC SERIES CENTRIFUGAL Motor Dimensions

FC Series

Model No.	NEMA Frame	Motor Dimensions (in.)									
		b	e1	f	g	h1	h2	h3	p	S3	F
FC3230	145JM	5	15/16	3 1/2	5 15/16	5 1/2	6 1/2	1	6 9/16	11/32	18 15/16
FC3230	182JM	4 1/2	-1/16	4 1/2	6 1/2	7 1/2	8 1/2	1	7 3/16	13/32	19 3/16
FC32A50	182JM	4 1/2	11/16	4 1/2	6 1/2	7 1/2	8 1/2	1	7 3/16	13/32	19 3/16
FC32A50	184JM	5 1/2	11/16	4 1/2	6 1/2	7 1/2	8 1/2	1	7 3/16	13/32	20 5/8
FC32B50	182JM	4 1/2	11/16	4 1/2	6 1/2	7 1/2	8 1/2	1	7 3/16	13/32	19 3/16
FC32B50	184JM	5 1/2	11/16	4 1/2	6 1/2	7 1/2	8 1/2	1	7 3/16	13/32	20 5/8
FC3275	184JM	5 1/2	1 13/16	4 1/2	6 1/2	7 1/2	8 1/2	1	7 3/16	13/32	22 1/8
FC3275	213JM	5 1/2	1 1/16	5 1/4	8	8 1/2	9 1/2	1	8 3/16	13/32	20 3/4
FC32100	213JM	5 1/2	1 1/16	5 1/4	8	8 1/2	9 1/2	1	8 3/16	13/32	20 3/4
FC32100	215JM	7	1 1/16	5 1/4	8	8 1/2	9 1/2	1	8 3/16	13/32	21 7/8
FC40A50	182JM	4 1/2	-1/16	4 1/2	6 1/2	7 1/2	8 1/2	1	7 3/16	13/32	19 3/16
FC40A50	184JM	5 1/2	-1/16	4 1/2	6 1/2	7 1/2	8 1/2	1	7 3/16	13/32	20 3/4
FC40B50	182JM	4 1/2	-1/16	4 1/2	6 1/2	7 1/2	8 1/2	1	7 3/16	13/32	19 3/16
FC40B50	184JM	5 1/2	-1/16	4 1/2	6 1/2	7 1/2	8 1/2	1	7 3/16	13/32	20 3/4
FC4075	184JM	5 1/2	11/16	4 1/2	6 1/2	7 1/2	8 1/2	1	7 3/16	13/32	22 1/8
FC4075	213JM	5 1/2	-1/16	5 1/4	8	8 1/2	9 1/2	1	8 3/16	13/32	20 3/4
FC40100	213JM	5 1/2	-1/16	5 1/4	8	8 1/2	9 1/2	1	8 3/16	13/32	20 3/4
FC40100	215JM	7	-1/16	5 1/4	8	8 1/2	9 1/2	1	8 3/16	13/32	21 7/8
FC40A150-3	215JM	7	1 1/16	5 1/4	8	8 1/2	9 1/2	1	8 3/16	13/32	22 11/16
FC40B150-3	215JM	7	1 1/16	5 1/4	8	8 1/2	9 1/2	1	8 3/16	13/32	22 11/16
FC5075	184JM	5 1/2	11/16	4 1/2	6 1/2	7 1/2	8 1/2	1	7 3/16	13/32	22 15/16
FC5075	213JM	5 1/2	-1/16	5 1/4	8	8 1/2	9 1/2	1	8 3/16	13/32	21 9/16
FC501100	213JM	5 1/2	-1/16	5 1/4	8	8 1/2	9 1/2	1	8 3/16	13/32	21 9/16
FC501100	215JM	7	-1/16	5 1/4	8	8 1/2	9 1/2	1	8 3/16	13/32	22 11/16
FC50100	213JM	5 1/2	1 1/16	5 1/4	8	8 1/2	9 1/2	1	8 3/16	13/32	21 9/16
FC50100	215JM	7	1 1/16	5 1/4	8	8 1/2	9 1/2	1	8 3/16	13/32	22 11/16
FC50150-3	215JM	7	1 1/16	5 1/4	8	8 1/2	9 1/2	1	8 3/16	13/32	22 11/16

FC Series

FC SERIES CENTRIFUGAL Pump and Motor Dimensions



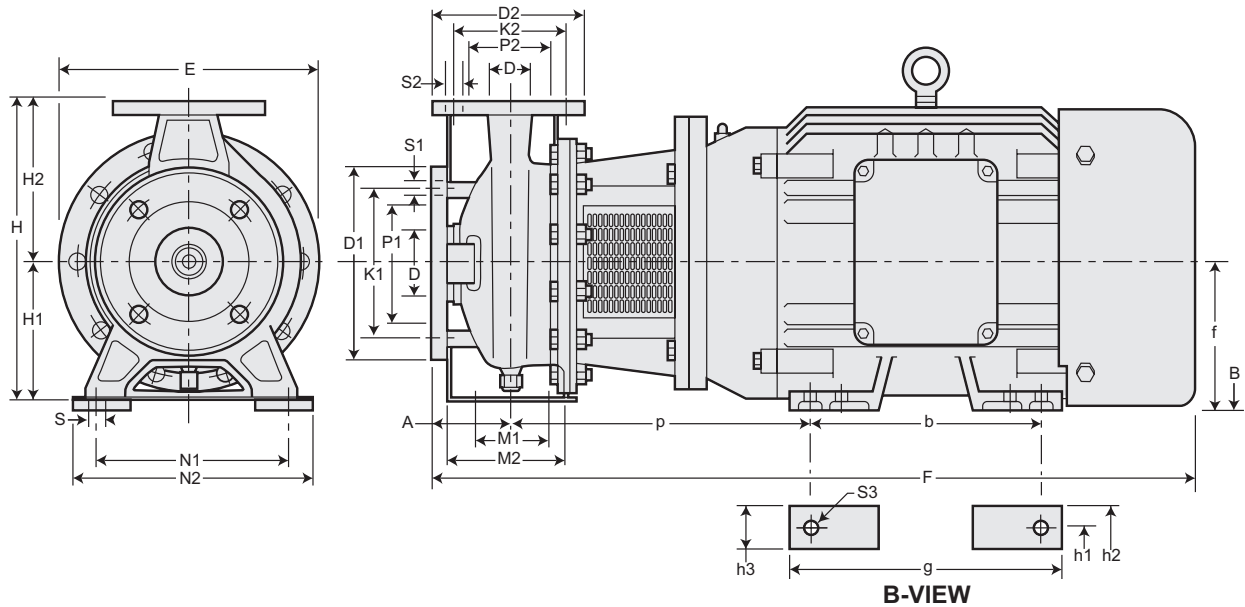
Model No.	Suction Flange (in.)					Discharge Flange (in.)				
	D	P1	K1	D1	S1	D	P2	K2	D2	S2
FC6575	3 3/16	5 1/4	6	7 7/8	11/16	2 9/16	4 1/2	5 11/16	7 5/16	11/16
FC651100	3 3/16	5 1/4	6	7 7/8	11/16	2 9/16	4 1/2	5 11/16	7 5/16	11/16
FC651150-3	3 3/16	5 1/4	6	7 7/8	11/16	2 9/16	4 1/2	5 11/16	7 5/16	11/16

Model No.	Pump Dimensions (in.)									
	A	E	H	H1	H2	M1	M2	N1	N2	S
FC6575	3 15/16	10	13 3/8	6 5/16	7 1/16	3 3/4	5 1/2	8 3/8	11	9/16
FC651100	3 15/16	10	13 3/8	6 5/16	7 1/16	3 3/4	5 1/2	8 3/8	11	9/16
FC651150-3	3 15/16	11 5/8	14 3/16	6 5/16	7 7/8	3 3/4	5 1/2	8 3/8	11	9/16

Model No.	NEMA Frame	Motor Dimensions (in.)									
		b	e1	f	g	h1	h2	h3	p	S3	F
FC6575	213JM	9/16	1 1/16	5 1/4	9 9/16	8 1/2	10 1/4	1 3/4	16 9/16	1/2	23 3/16
FC651100	215JM	9/16	1 1/16	5 1/4	9 9/16	8 1/2	10 1/4	1 3/4	16 9/16	1/2	23 3/16
FC651150-3	215JM	9/16	1 1/16	5 1/4	9 9/16	8 1/2	10 1/4	1 3/4	16 9/16	1/2	23 3/16

FC SERIES CENTRIFUGAL Pump and Motor Dimensions

FC Series



Model No.	Suction Flange (in.)					Discharge Flange (in.)				
	D	P1	K1	D1	S1	D	P2	K2	D2	S2
FC652200-3T	3 3/16	5 1/4	6	7 7/8	11/16	2 9/16	4 1/2	5 11/16	7 5/16	11/16
FC65200-3T	3 3/16	5 1/4	6	7 7/8	11/16	2 9/16	4 1/2	5 11/16	7 5/16	11/16
FC653250-3T	3 3/16	5 1/4	6	7 7/8	11/16	2 9/16	4 1/2	5 11/16	7 5/16	11/16
FC651250-3T	3 3/16	5 1/4	6	7 7/8	11/16	2 9/16	4 1/2	5 11/16	7 5/16	11/16
FC652300-3T	3 3/16	5 1/4	6	7 7/8	11/16	2 9/16	4 1/2	5 11/16	7 5/16	11/16

Pump Dimensions in.)									
A	E	H	H1	H2	M1	M2	N1	N2	S
3 15/16	11 5/8	14 3/16	6 5/16	7 7/8	3 3/4	5 1/2	8 3/8	11	9/16
3 15/16	11 5/8	15 15/16	7 1/16	8 7/8	3 3/4	5 1/2	9 13/16	12 5/8	9/16
3 15/16	11 5/8	14 7/8	6 5/16	7 7/8	3 3/4	4 15/16	8 3/8	11 1/8	9/16
3 15/16	11 5/8	15 15/16	7 1/16	8 7/8	3 3/4	5 1/2	9 13/16	12 5/8	9/16
3 15/16	11 5/8	15 15/16	7 1/16	8 7/8	3 3/4	5 1/2	9 13/16	12 5/8	9/16

Model No.	NEMA Frame	Motor Dimensions (in.)								
		b	f	g	h1	h2	h3	p	S3	F
FC652200-3T	256TC	10	6 1/4	11 5/8	10	12 3/8	2 3/8	13 13/16	17/32	32 3/8
FC65200-3T	256TC	10	6 1/4	13 9/16	10	12 3/8	2 3/8	25 13/16	17/32	32 3/8
FC653250-3T	284TSC	11	7	12 13/16	11	12 3/4	-	13 7/8	17/32	36
FC651250-3T	284TSC	11	7	13	11	12 15/16	1 15/16	13 7/8	17/32	36
FC652300-3T	286TSC	11	7	13	11	12 15/16	1 15/16	13 7/8	17/32	36



There when you need us most

(800) 769-7867

8417 New Hampshire Ave. | St. Louis, MO 63123

Web: webtrol.com | **E-mail:** customerservice@webtrol.com | **Fax:** (314) 631-3738

WEBTROL is a Division of Weber Industries, Inc.