



There when you need us most

SS SERIES STAINLESS STEEL SEWAGE PUMPS

304 Stainless Steel

SS Series

The SS Series Sewage Pump is designed for efficient and reliable handling of sewage or waste water containing suspended solids up to 2" in diameter.

The quality and performance you expect, along with industry best lead times and personalized service, only from Webtrol!



Features and Benefits

- 304 stainless steel construction
- 2" solids handling
- High service factor motor design
- 2 pole, dry-submerged continuous duty rated motor type
- Double Viton mechanical seal
- Shielded ball bearings last 50,000 hours
- Automatic & manual operation
- 2" threaded or flanged discharge
- Max emersion depth of 33'
- 25' power cord

Performance

HP Range: .5 - 2 HP, 60Hz.

Capacities to 200 GPM

Heads to 65'

Temperatures to 104° F continuous or 140° F intermittent

Typical Services

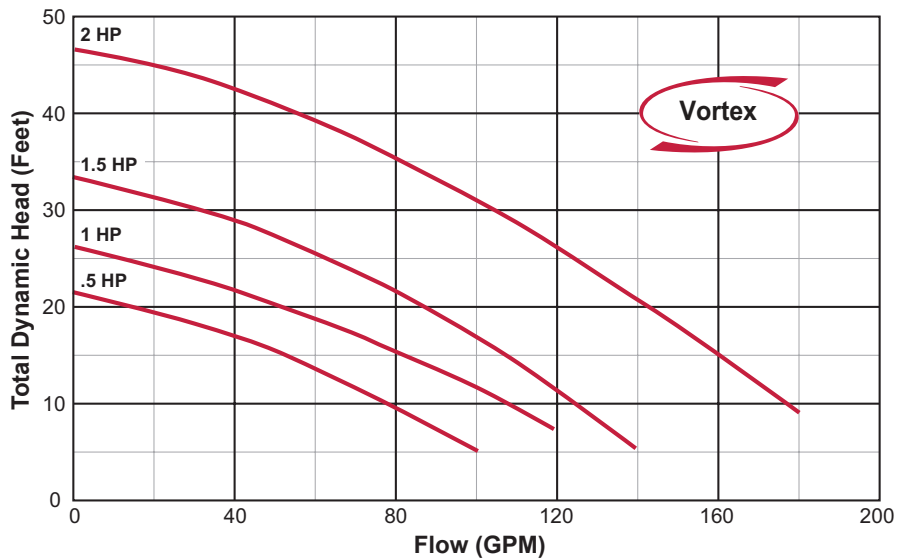
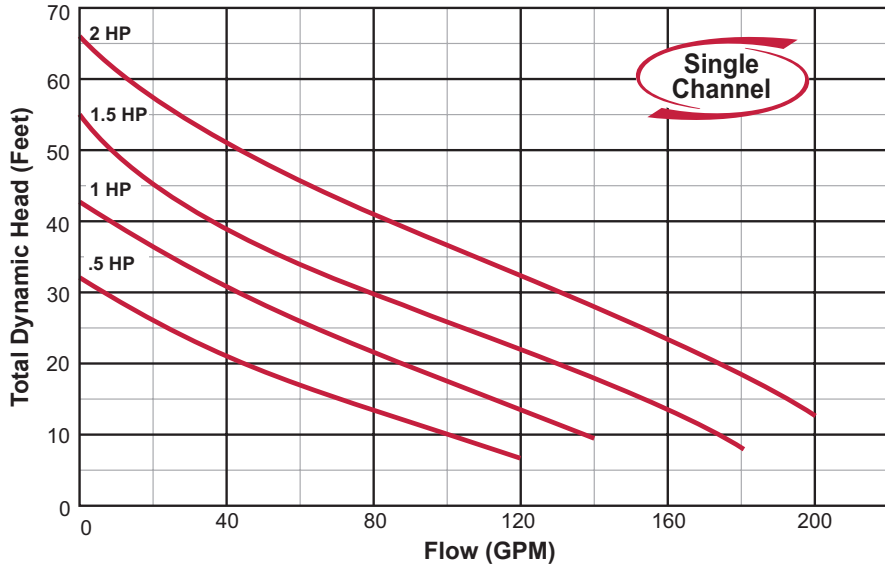
Commercial • Industrial • Agricultural

Model	HP	Capacity	Max. Emersion
Single Channel	.5 - 2	185 GPM	33 Ft.
Vortex	.5 - 2	150 GPM	33 Ft.



There when you need us most

SS SERIES STAINLESS STEEL SEWAGE PUMPS



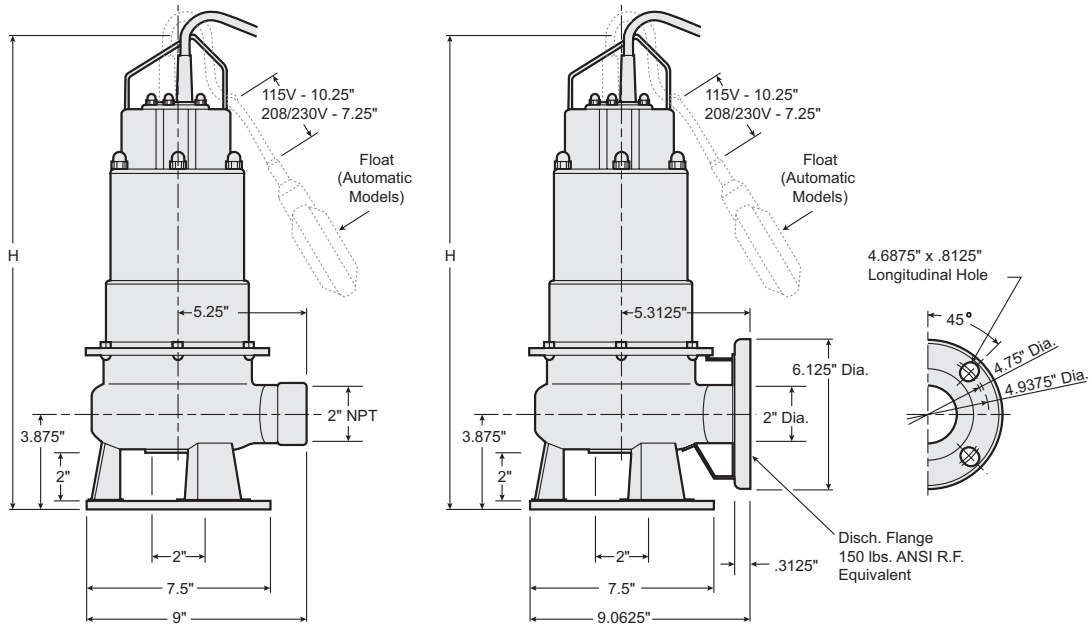
CONSTRUCTION MATERIALS	
Part	Material
Casing	304 SS
Impeller	304 SS
Shaft	304 SS
Motor Frame	304 SS
Fastener	304 SS
Double Mechanical Seal - Upper Side	Carbon
Double Mechanical Seal - Lower Side	Silicon Carbide



There when you need us most

SS SERIES STAINLESS STEEL SEWAGE PUMPS

Dimensions



Phase	HP	Height (in.)
Single	.5	21.625
Single	1	22.875
Single	1.5	22.125
Single	2	24.0
Three	.5	19.125
Three	1	19.125
Three	1.5	20.25
Three	2	20.25